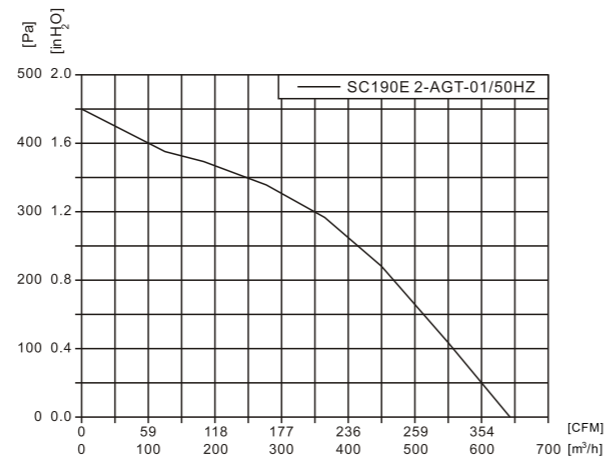




**EC Centrifugal Blower  
Backward Curved  $\phi 190-62$**

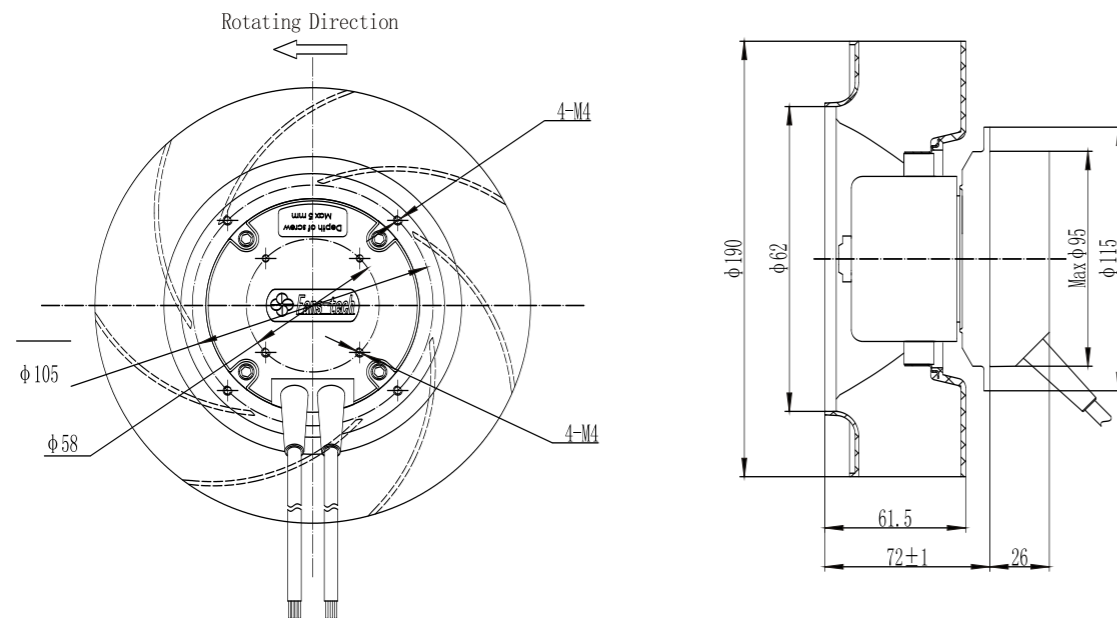
EC Series



- **Material:** Impeller made of plastic PA66
- **Type of protection:** IP44
- **Technical features:** Control input 0~10VDC/PWM, Tach output
- **Bearing:** Ball bearings
- **Motor Insulation Class:** F

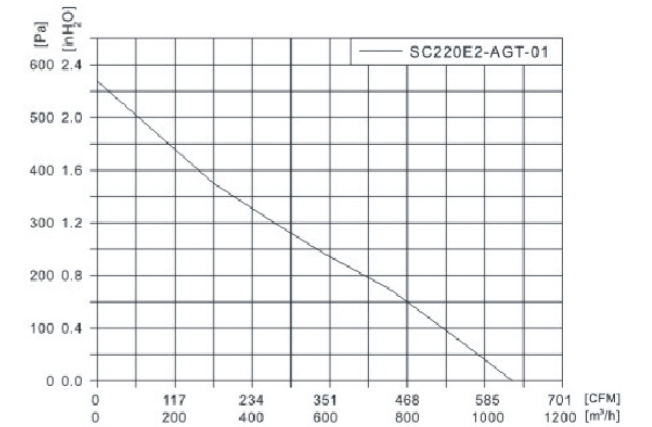
- **Protection:** Locked-rotor protection, Current limited, Under-voltage and over-voltage lockout protection, Soft start
- **Direction of rotation:** Anticlockwise, see on the leads
- **Approvals:** CE
- **Amb.Temp:** -25~+60°C

Type	Motor	Voltage (VAC)	Frequency (Hz)	Airflow (m³/h)	Airflow (CFM)	Speed (rpm)	Power (W)	Current (A)	Noise Lp:dB(A)
SC190E2-AGT-01	DM055E2-AGT-02	1~230	50/60	620	365	3150	58	0.5	65



**EC Centrifugal Blower  
Backward Curved  $\phi 190-64$**

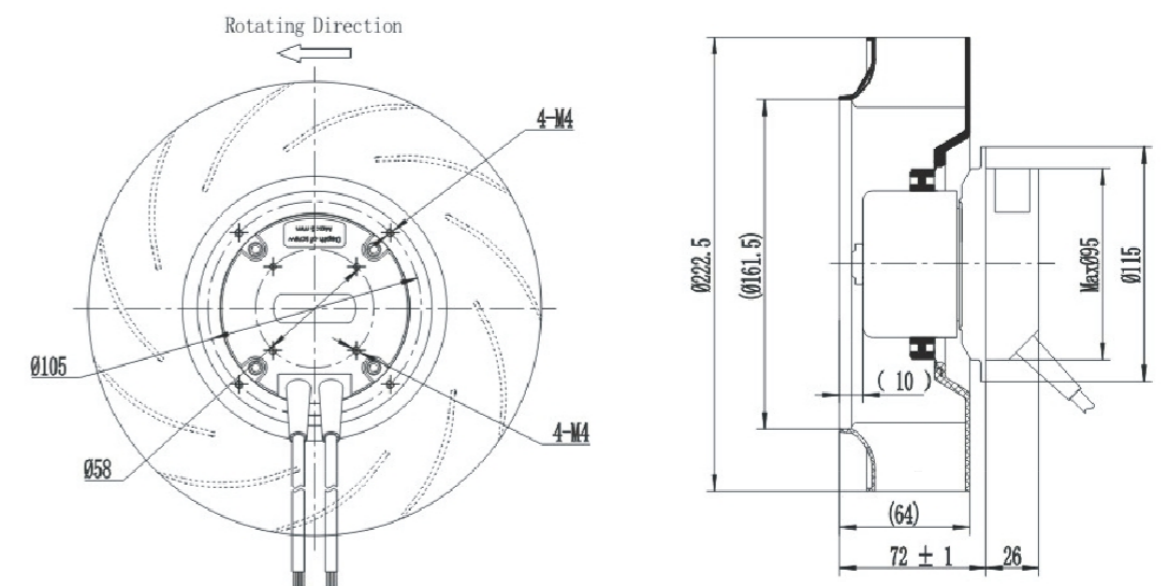
EC Series



- **Material:** Impeller completely made of plastic PA66
- **Technical features:** Control input 0~10VDC/PWM
- **Type of protection:** IP44
- **Bearing:** Ball bearings
- **Motor Insulation Class:** F

- **Protection:** Tach output, Locked-rotor protection, Current limited, Soft start
- **Direction of rotation:** Anticlockwise, see on the leads
- **Amb.Temp:** -25~+60°C

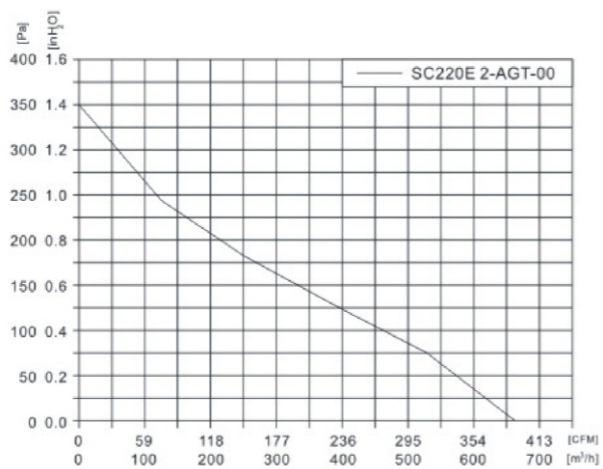
Type	Motor	Voltage (VAC)	Voltage Range (VAC)	Airflow (m³/h)	Airflow (CFM)	Speed (rpm)	Power (W)	Current (A)	Noise Lp:dB(A)
SC190E5-ATG-00	M1D075E5-ACT-01	230	188~253	1050	618	3000	95	0.75	≤67





**EC Centrifugal Blower  
Backward Curved  $\phi 220-64$**

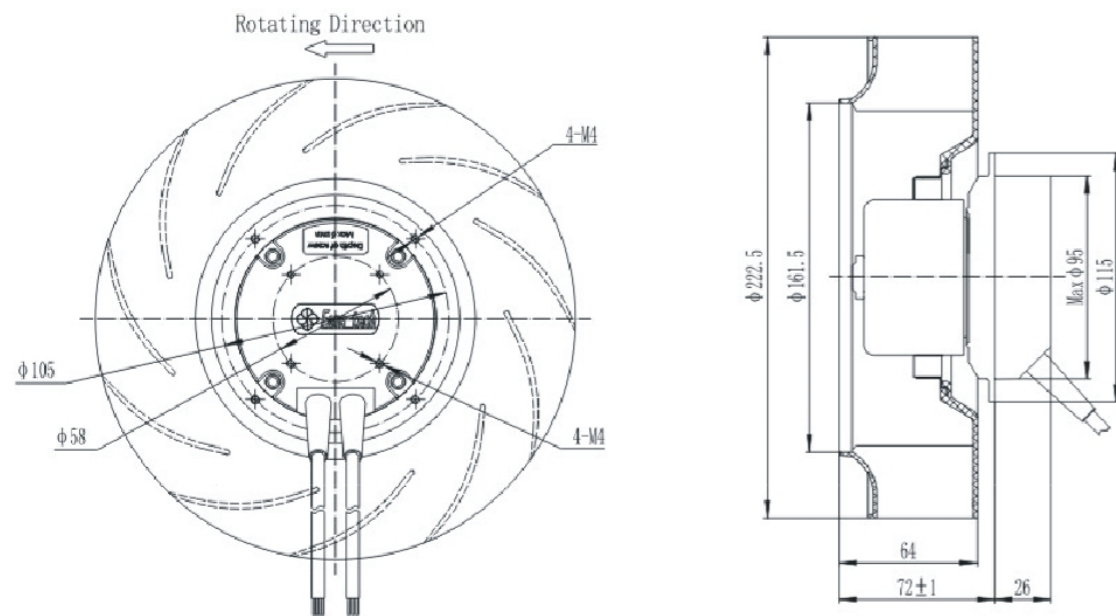
EC Series



- **Material:** Impeller made of plastic PA66
- **Type of protection:** IP42
- **Technical features:** Control input 0~10VDC/PWM, Tach output
- **Bearing:** Ball bearings
- **Motor Insulation Class:** F

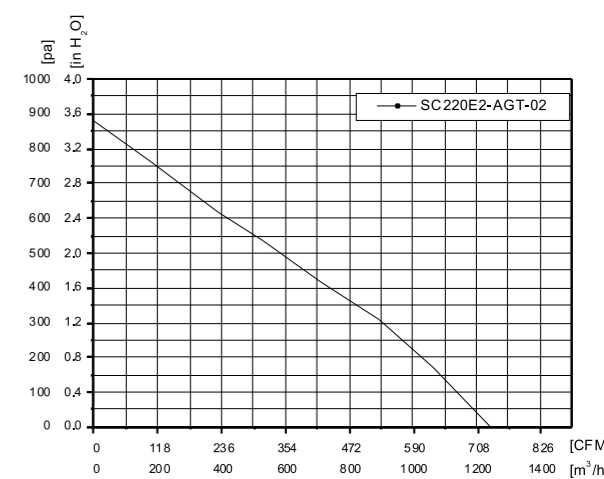
- **Protection:** Locked-rotor protection, Current limited Under-voltage and over-voltage lockout protection, Soft start
- **Direction of rotation:** Anticlockwise, see on the leads
- **Approvals:** CCC
- **Amb.Temp:** -25~+60°C

Type	Motor	Voltage (VAC)	Frequency (Hz)	Airflow (m³/h)	Airflow (CFM)	Speed (rpm)	Power (W)	Current (A)	Noise Lp:dB(A)
SC220E2-AGT-00	DM055E2-AGT-02	1~230	50/60	661	390	2650	67	0.53	70



**EC Centrifugal Blower  
Backward Curved  $\phi 220-64$**

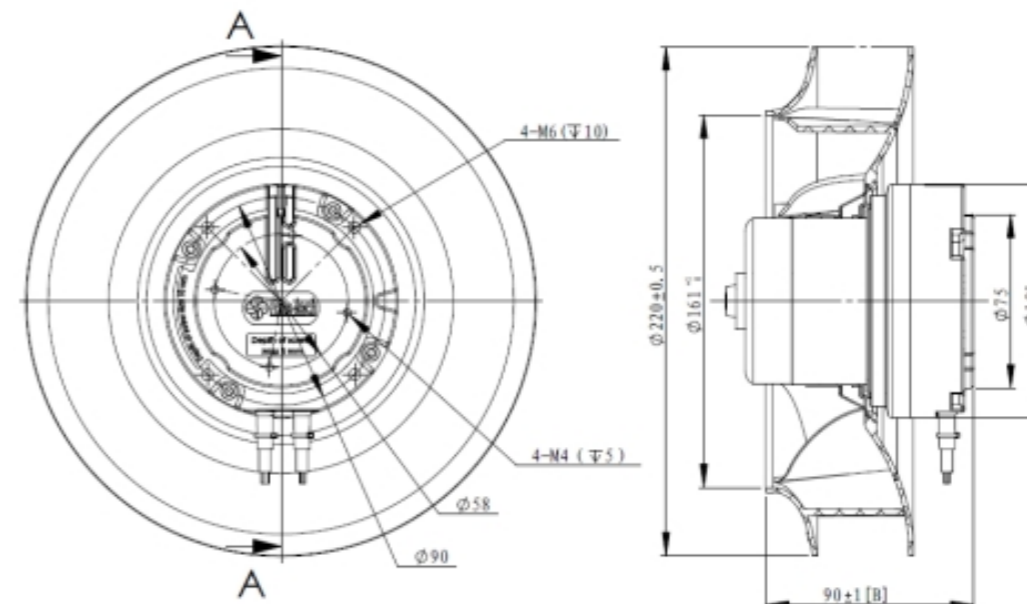
EC Series



- **Material:** Impeller completely made of plastic PA66
- **Technical features:** Control input 0~10VDC/PWM
- **Type of protection:** IP42
- **Bearing:** Ball bearings
- **Motor Insulation Class:** F

- **Protection:** Tach output, Locked-rotor protection Current limited, Soft start
- **Direction of rotation:** Anticlockwise, see on the leads
- **Amb.Temp:** -25~+60°C

Type	Motor	Voltage (VAC)	Frequency (Hz)	Airflow (m³/h)	Airflow (CFM)	Speed (rpm)	Power (W)	Current (A)	Noise Lp:dB(A)
SC220E2-AGT-02	DM055E2-AGT-13	1~230	50/60	1230	738	3740	175	1127	70

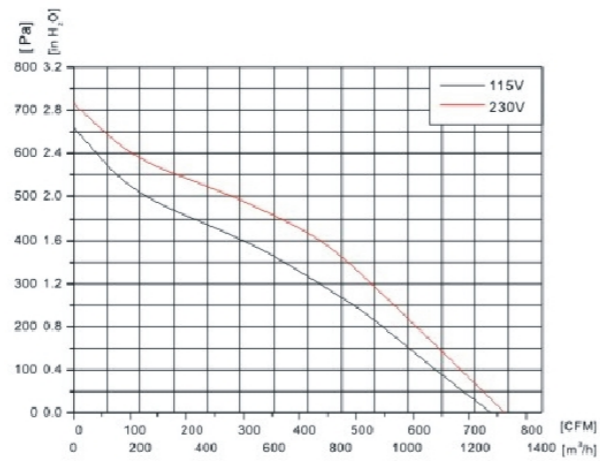






**EC Centrifugal Blower  
Backward Curved  $\phi 225-89$**

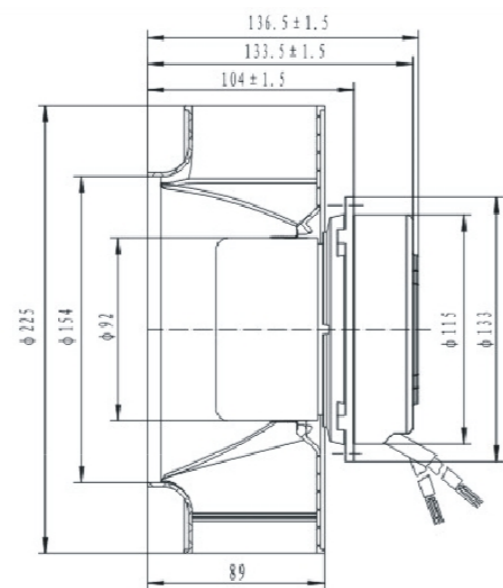
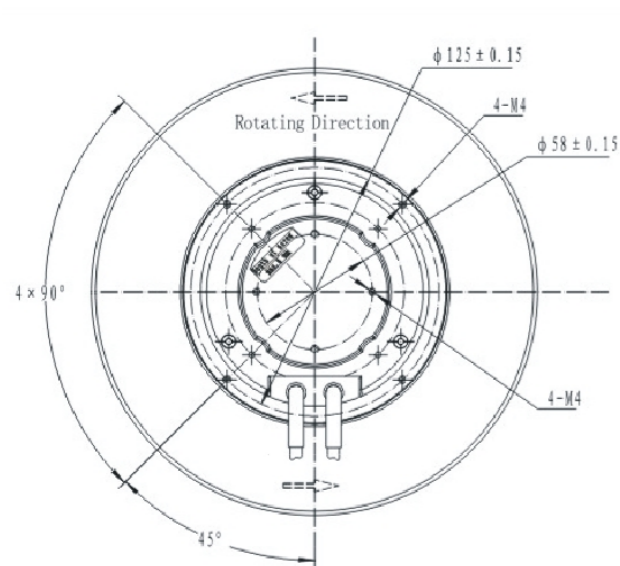
EC Series



- **Material:** Impeller made of plastic PA66
- **Technical features:** Control input 0~10VDC/PWM
- **Type of protection:** IP44
- **Bearing:** Ball bearings
- **Motor insulation class:** F

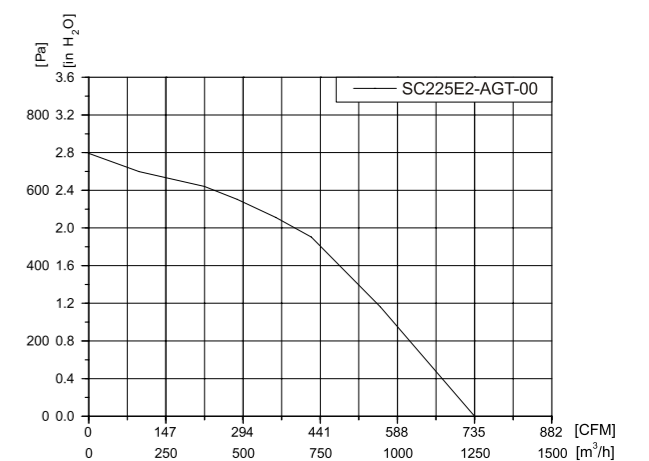
- **Protection:** Tach output, Locked-rotor protection, Current limited, Soft start
- **Direction of rotation:** Anticlockwise, see on the leads
- **Amb.Temp:** -25~+60°C

Type	Motor	Voltage (VAC)	Voltage Range (VAC)	Airflow (m³/h)	Airflow (CFM)	Speed (rpm)	Power (W)	Current (A)	Noise Lp:dB(A)
SC225E5-ACT-00	DM075E5-ACT-00	1~115	100~130	1200	707	2950	135	1.7	72
SC225E5-AGT-00	DM075E3-AGT-00	1~230	200~277	1280	754	3140	144	1.0	74



**EC Centrifugal Blower  
Backward Curved  $\phi 225-89$**

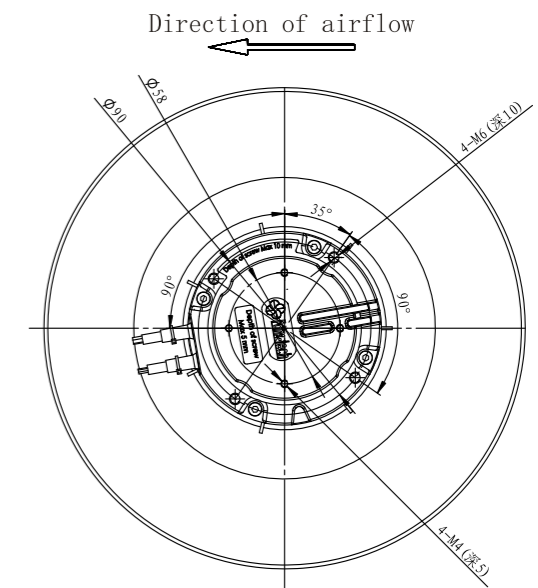
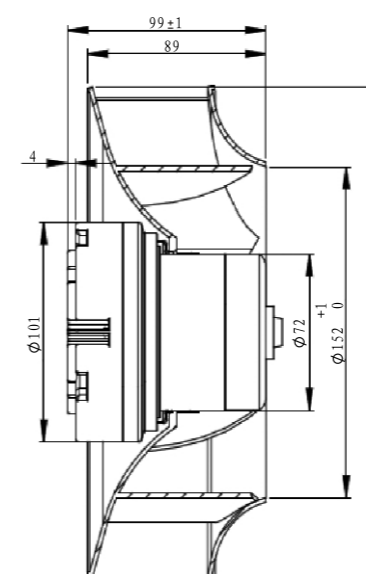
EC Series



- **Material:** Impeller: PA66, Rotor: Coated in black
- **Number of blade:** 6
- **Direction of rotation:** Anticlockwise, see on the leads
- **Type of protection:** IP54
- **Mounting position:** Shaft horizontal or rotor on bottom, Rotor on top on request
- **Operation mode:** S1
- **Bearings:** Maintenance-free ball bearings

- **Technical features:** Control input 0~10VDC/PWM Output 10VDC+10%, max.10mA, Tach output
- **Protection:** Line undervoltage, Motor current limitation, Locked-rotor protection Soft start, Phase failure detection, Thermal protector
- **EMC:** According to EN61000-6-3/2, EN61000-3-2/3
- **Approvals:** CCC, CE
- **Amb.Temp:** -25~+60°C

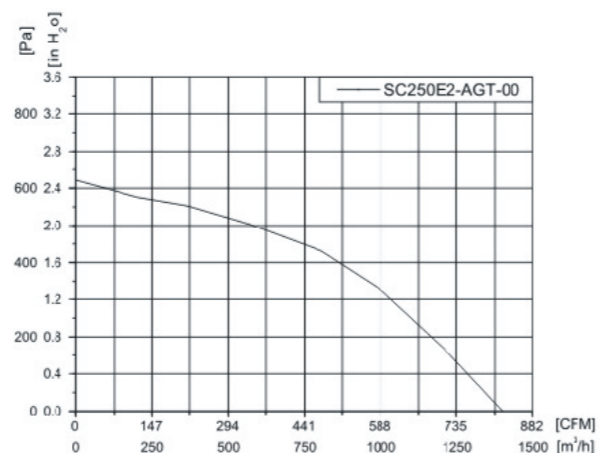
Type	Motor	Voltage (VAC)	Frequency (Hz)	Airflow (m³/h)	Airflow (CFM)	Speed (rpm)	Power (W)	Current (A)	Noise Lp:dB(A)
SC225E2-AGT-00	DM055E2-AGT-12	230	50/60	1220	718	3200	135	1.0	75





**EC Centrifugal Blower  
Backward Curved  $\phi 250-88$**

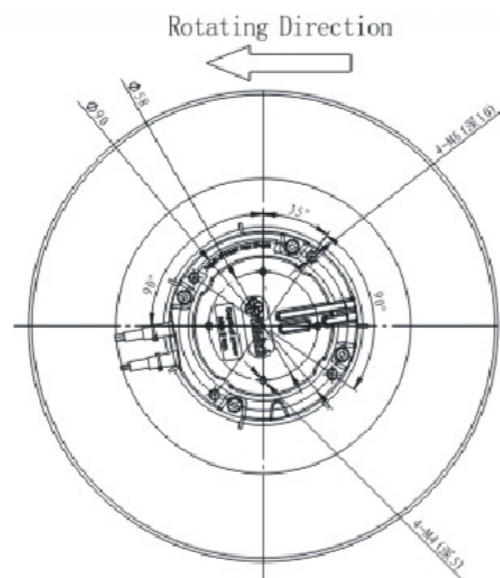
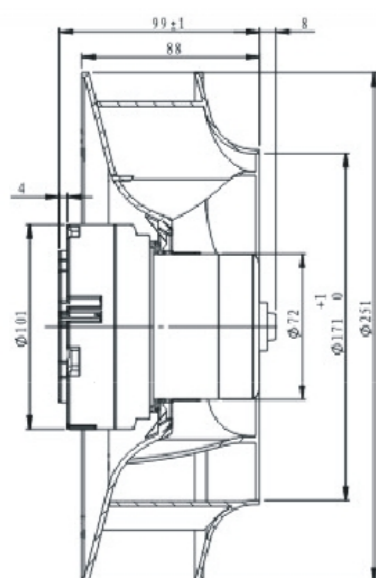
EC Series



- **Material:** Impeller: PA66, Rotor: Coated in black
- **Number of blade:** 7
- **Direction of rotation:** Anticlockwise, see on the leads
- **Type of protection:** IP54
- **Mounting position:**  
Shaft horizontal or rotor on bottom, Rotor on top on request
- **Operation mode:** S1
- **Bearings:** Maintenance-free ball bearings

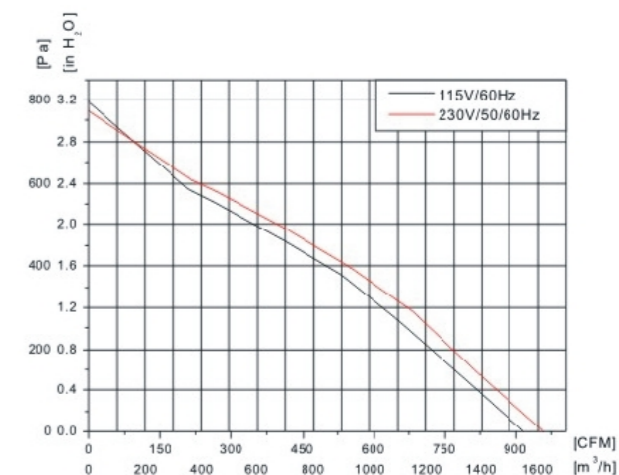
- **Technical features:** Control input 0~10VDC/PWM  
Output 10VDC+10%, max.10mA, Tach output
- **Protection:** Line undervoltage, Motor current limitation  
Locked-rotor protection, Soft start, Phase failure detection  
Thermal protector
- **EMC:** According to EN61000-6-3/2, EN61000-3-2/3
- **Approvals:** CCC, CE
- **Amb.Temp:** -25~+60°C

Type	Motor	Voltage (VAC)	Frequency (Hz)	Airflow (m³/h)	Airflow (CFM)	Speed (rpm)	Power (W)	Current (A)	Noise Lp:dB(A)
SC250E2-AGT-00	DM055E2-AGT-11	230	50/60	1400	824.5	2750	140	0.9	≤75



**EC Centrifugal Blower  
Backward Curved  $\phi 250-85$**

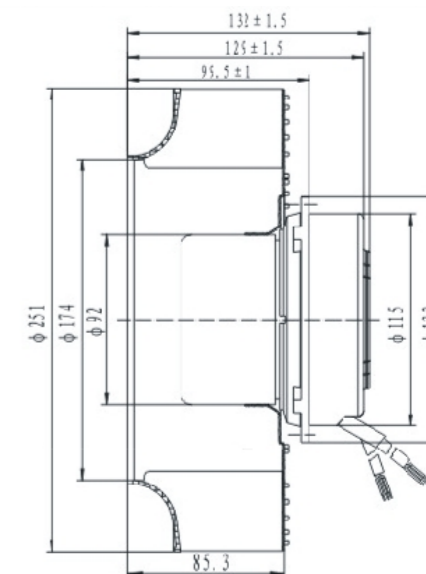
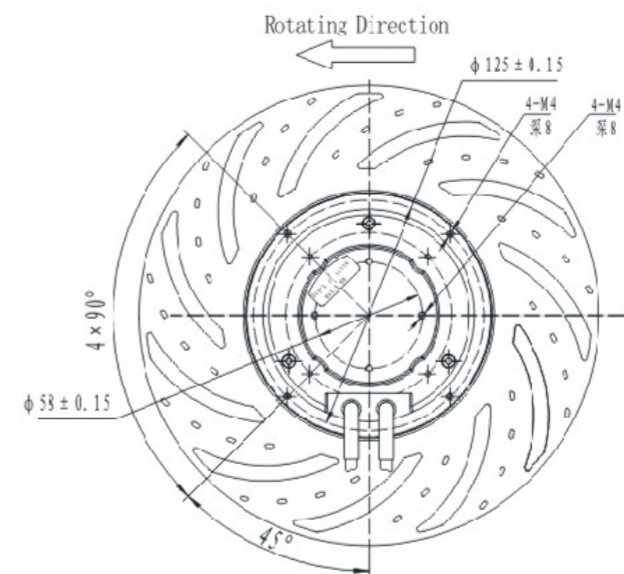
EC Series



- **Material:** Impeller made of plastic PA66
- **Technical features:** Control input 0~10VDC/PWM
- **Type of protection:** IP44
- **Bearing:** Ball bearings
- **Motor Insulation Class:** F
- **Approvals:** CCC, CE

- **Direction of rotation:** Anticlockwise, see on the leads
- **Protection:** Line undervoltage, Motor current limitation  
Locked-rotor protection, Soft start, Phase failure detection  
Thermal protector
- **Amb.Temp:** -25~+60°C

Type	Motor	Voltage (VAC)	Frequency (Hz)	Airflow (m³/h)	Airflow (CFM)	Speed (rpm)	Power (W)	Current (A)	Noise Lp:dB(A)
SC250E5-AC6-00	DM075E5-AC6-00	1~115	60	1530	900	2780	176	2.3	72
SC250E5-AGT-01	DM075E5-AGT-04	1~230	50/60	1580	931	2900	190	1.47	73

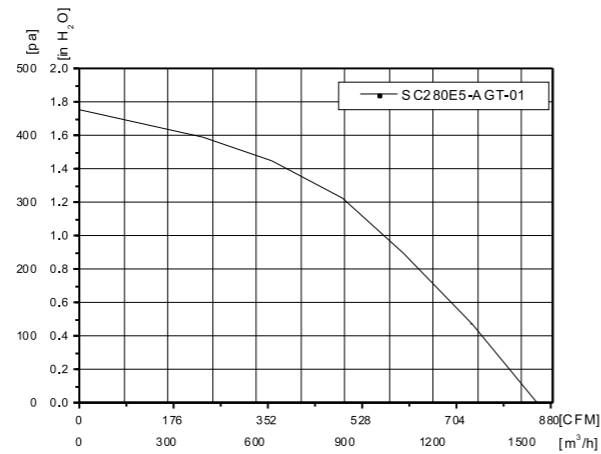
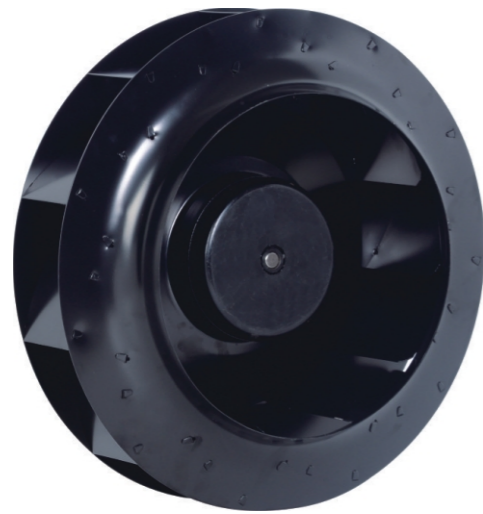






**EC Centrifugal Blower  
Backward Curved  $\phi 280-82$**

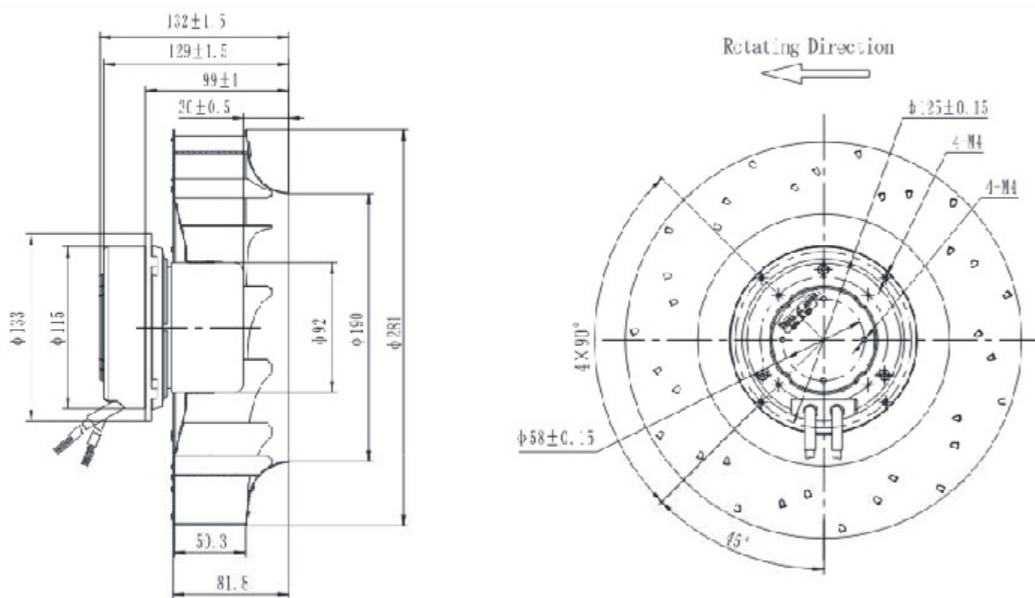
EC Series



- **Material:** Impeller made of cold rolled steel and is coated in black
- **Technical features:** Control input 0~10VDC/PWM
- **Type of protection:** IP44
- **Bearing:** Ball bearings
- **Motor Insulation Class:** F

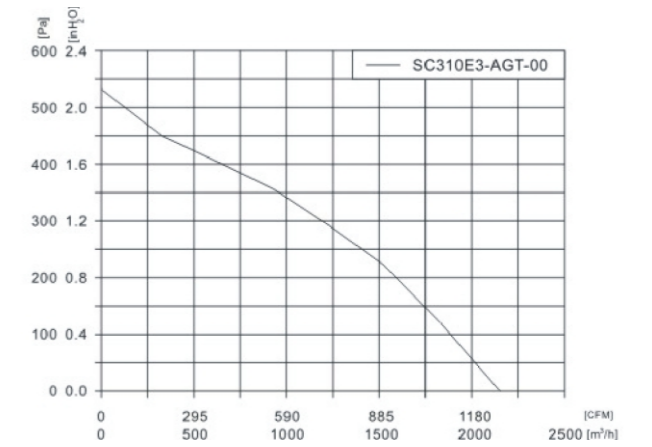
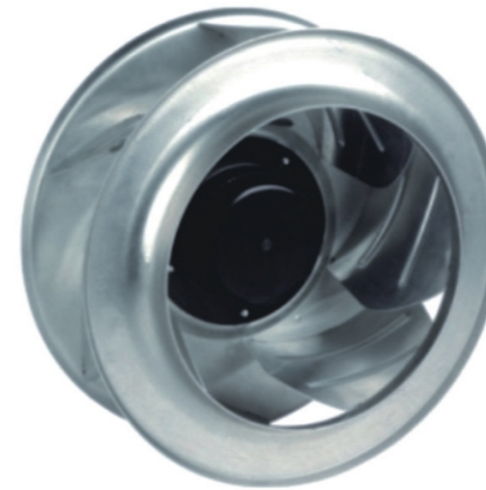
- **Protection:** Tach output, Locked-rotor protection  
Current limited, Soft start
- **Direction of rotation:** Anticlockwise, see on the leads
- **Approvals:** CE, UL
- **Amb.Temp:** -25~+60°C

Type	Motor	Voltage (VAC)	Frequency (Hz)	Airflow (m³/h)	Airflow (CFM)	Speed (rpm)	Power (W)	Current (A)	Noise Lp:dB(A)
SC280E5-AGT-01	DM075E5-AGT-08	1~230	50/60	1530	849	2100	111	0.83	79



**EC Centrifugal Blower  
Backward Curved  $\phi 320-110$**

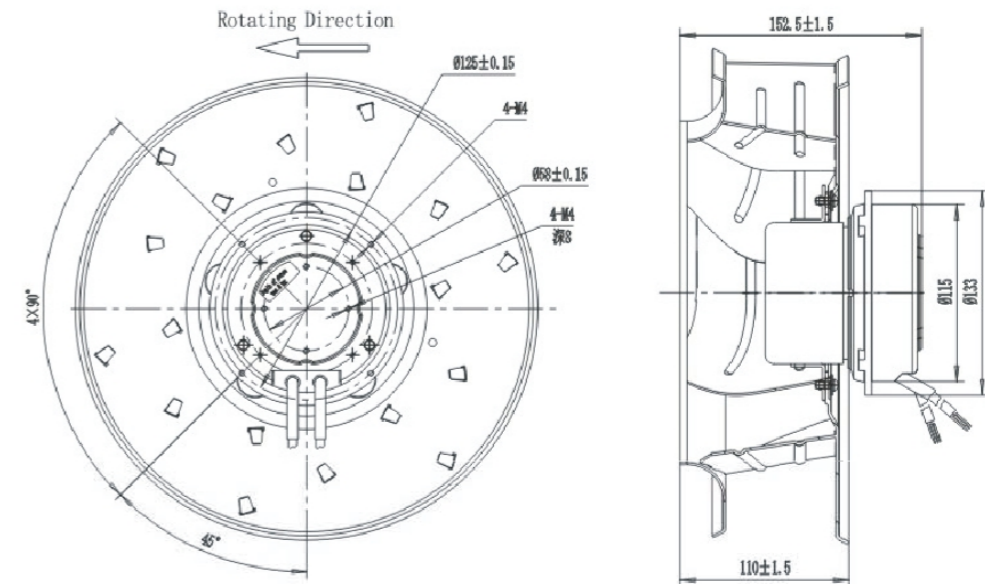
EC Series



- **Material:** The impeller made of aluminum alloy
- **Type of protection:** IP42
- **Bearing:** Ball bearings
- **Protection:** Tach output, Locked-rotor protection  
Current limited, Soft start

- **Technical features:** Control input 0~10VDC/PWM
- **Direction of rotation:** Anticlockwise, see on the leads
- **Approvals:** CCC, CE
- **Amb.Temp:** -25~+60°C

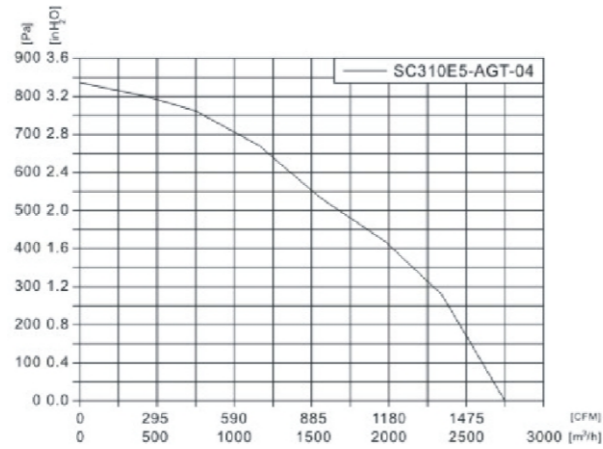
Type	Motor	Voltage (VAC)	Frequency (Hz)	Airflow (m³/h)	Airflow (CFM)	Speed (rpm)	Power (W)	Current (A)	Noise Lp:dB(A)
SC310E5-AGT-00	DM075E5-AGT-10	1~230	50/60	2100	1237	1960	160	1.3	72





**EC Centrifugal Blower  
Backward Curved  $\phi 318-110$**

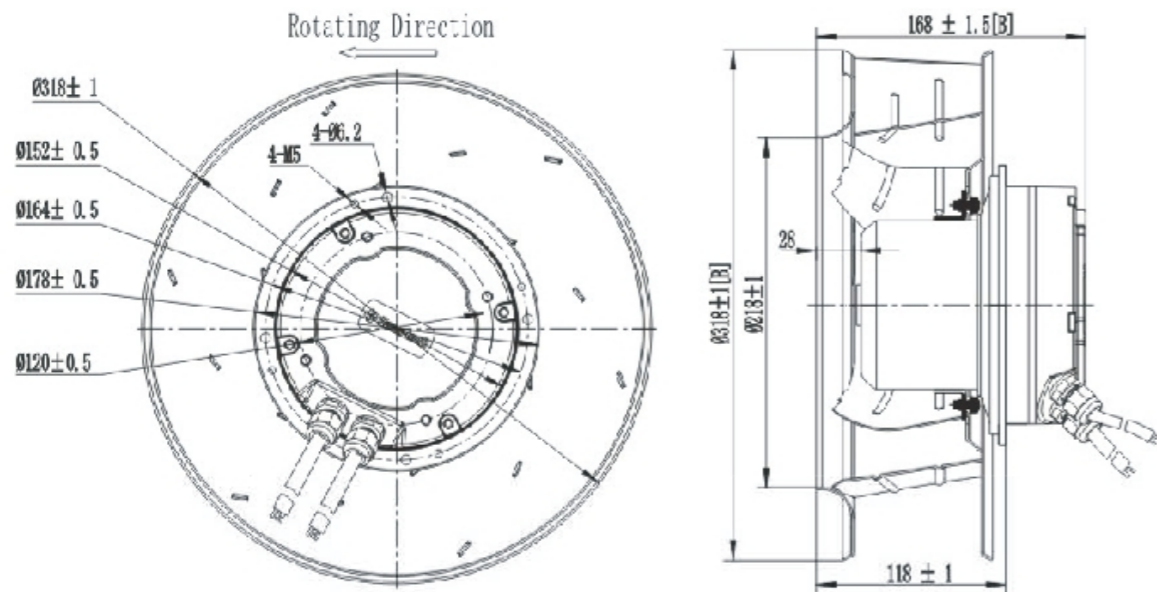
EC Series



- **Material:** The impeller made of sheet aluminum
- **Type of protection:** IP44
- **Bearing:** Ball bearings
- **Protection:** Tach output, Locked-rotor protection  
Current limited, Soft start

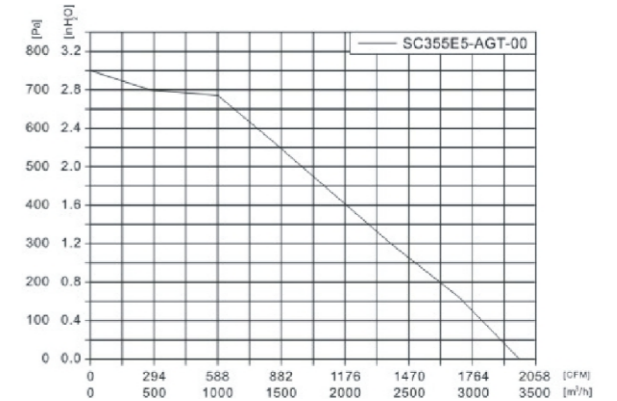
- **Technical features:** Control input 0~10VDC/PWM
- **Direction of rotation:** Anticlockwise, see on the leads
- **Approvals:** CCC, CE
- **Amb.Temp:** -25~+60°C

Type	Motor	Voltage (VAC)	Frequency (Hz)	Airflow (m³/h)	Airflow (CFM)	Speed (rpm)	Power (W)	Current (A)	Noise Lp:dB(A)
SC310E5-AGT-04	DM088E5-AGT-16	1~230	50/60	2650	1560	2600	360	2.3	70



**EC Centrifugal Blower  
Backward Curved  $\phi 355-147$**

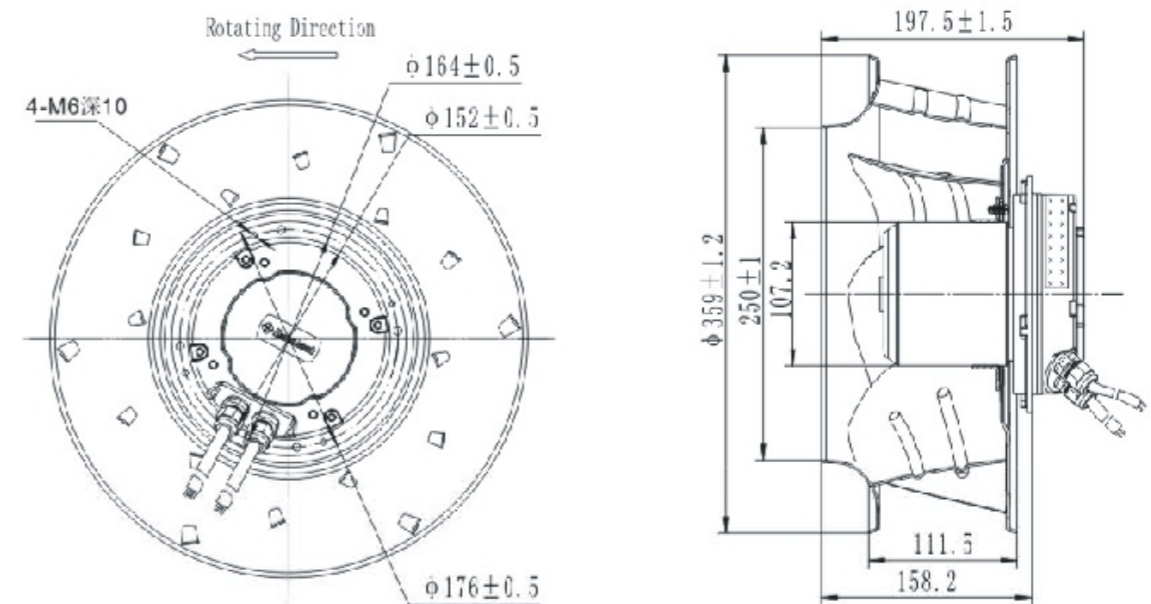
EC Series



- **Material:** The impeller made of sheet aluminum
- **Type of protection:** IP44
- **Bearing:** Ball bearings
- **Protection:** Tach output, Locked-rotor protection  
Current limited, Soft start

- **Technical features:** Control input 0~10VDC/PWM
- **Motor insulation class:** F
- **Direction of rotation:** Anticlockwise, see on the leads
- **Approvals:** CCC, CE
- **Amb.Temp:** -25~+60°C

Type	Motor	Voltage (VAC)	Frequency (Hz)	Airflow (m³/h)	Airflow (CFM)	Speed (rpm)	Power (W)	Current (A)	Noise Lp:dB(A)
SC355E5-AGT-00	DM088E5-AGT-01	1~230	50/60	3200	1885	1700	350	2.4	72



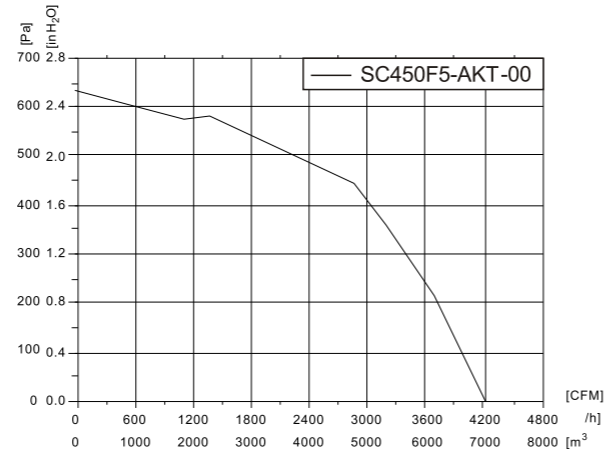






**EC Centrifugal Blower  
Backward Curved  $\phi 450-206$**

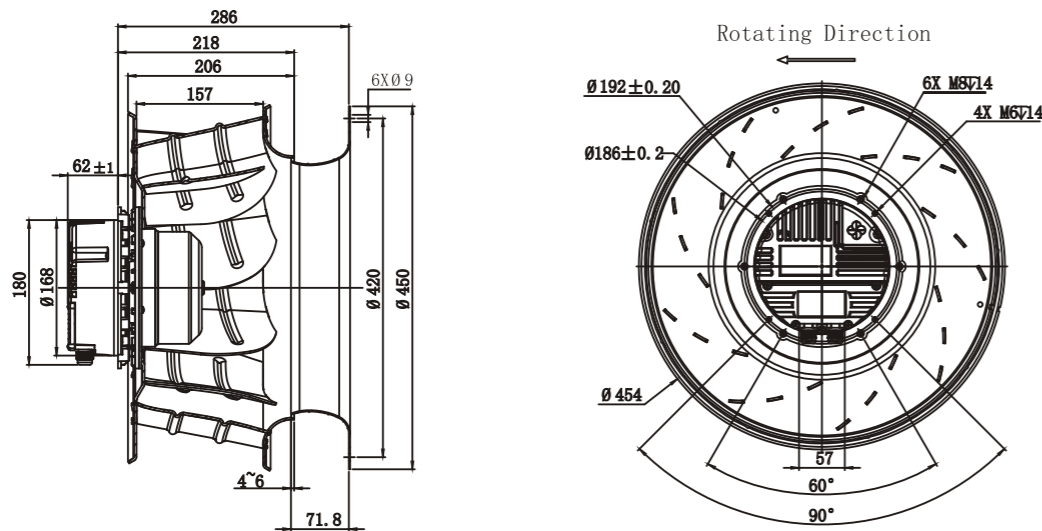
EC Series



- **Material:** Impeller: Completely made of aluminum alloy  
Rotor: Electric coated in black  
Electronics enclosures: Die-cast aluminum
- **Number of blade:** 9
- **Direction of rotation:** Anticlockwise, see on the leads
- **Type of protection:** IP54
- **Mounting position:**  
Shaft horizontal or rotor on bottom, Rotor on top on request
- **Operation mode:** ( S1 )
- **Bearing:** Maintenance-free ball bearings
- **Approvals:** CCC, UL, CE
- **Amb.Temp:** -25~+60°C

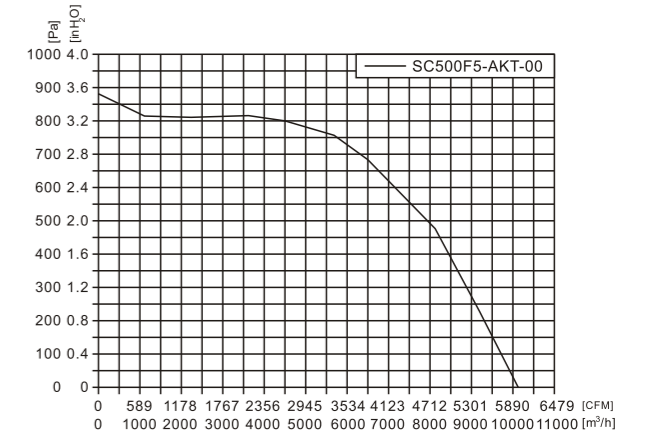
- **Technical features:** Control input 0~10VDC/PWM  
Output 10VDC+10%, max.10mA  
Output 20VDC+10%, max.50mA  
PFC (passive), Integrated PID controller  
Tach output, Alarm relay
- **Protection:**  
Line undervoltage, Motor current limitation  
Locked-rotor protection, Soft start  
Phase failure detection, Thermal protector
- **Insulation class:** F
- **EMC:** According to EN61000-6-3/2, EN61000-3-2/3

Type	Motor	Voltage (VAC)	Frequency (Hz)	Airflow (m³/h)	Airflow (CFM)	Speed (rpm)	Power (W)	Current (A)	Noise Lp:dB(A)
SC450F5-AKT-00	DM112F5-AKT-05	3~380	50/60	7100	4184	1575	640	1.3	77



**EC Centrifugal Blower  
Backward Curved  $\phi 500-233$**

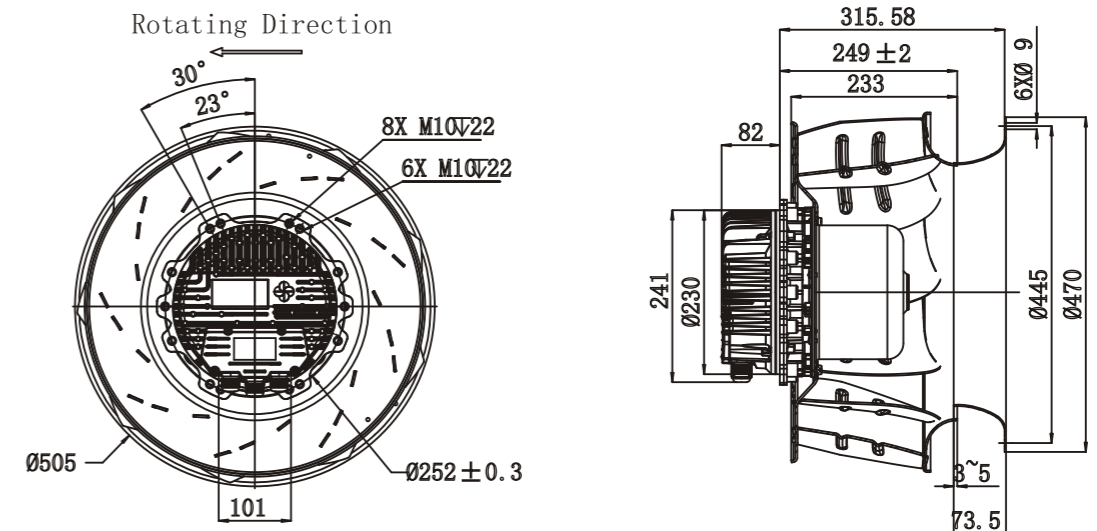
EC Series



- **Material:** Impeller: Completely made of aluminum alloy  
Rotor: Electric coated in black  
Electronics enclosures: Die-cast aluminum
- **Number of blade:** 9
- **Direction of rotation:** Anticlockwise, see on the leads
- **Type of protection:** IP54
- **Mounting position:**  
Shaft horizontal or rotor on bottom, Rotor on top on request
- **Operation mode:** ( S1 )
- **Bearing:** Maintenance-free ball bearings
- **Approvals:** CCC, UL, CE
- **Amb.Temp:** -25~+60°C

- **Technical features:** Control input 0~10VDC/PWM  
Output 10VDC+10%, max.10mA  
Output 20VDC+10%, max.50mA  
PFC (passive), Integrated PID controller  
Tach output, Alarm relay, RS485 MADBUS
- **Protection:**  
Line undervoltage, Motor current limitation  
Locked-rotor protection, Soft start  
Phase failure detection, Thermal protector
- **Insulation class:** F
- **EMC:** According to EN61000-6-3/2, EN61000-3-2/3

Type	Motor	Voltage (VAC)	Frequency (Hz)	Airflow (m³/h)	Airflow (CFM)	Speed (rpm)	Power (W)	Current (A)	Noise Lp:dB(A)
SC500F5-AKT-00	DM150F5-AKT-01	3~380	50/60	10500	6184	1650	1350	2.2	75

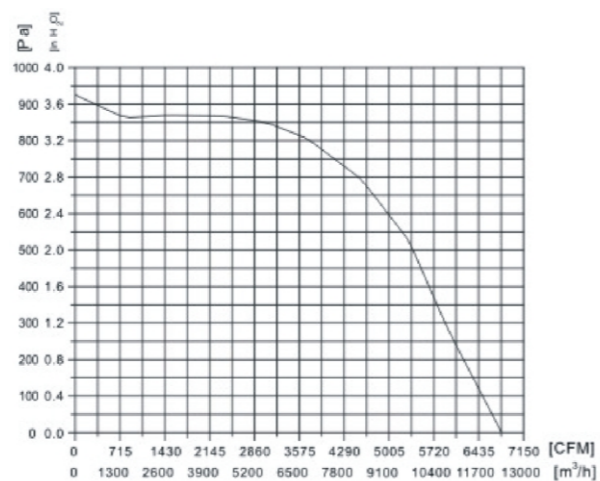






**EC Centrifugal Blower  
Backward Curved  $\phi 560-259$**

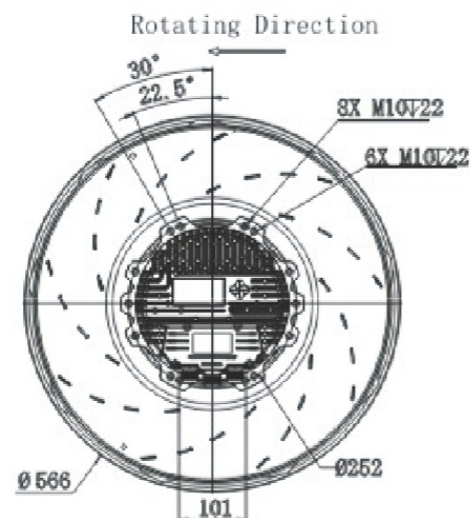
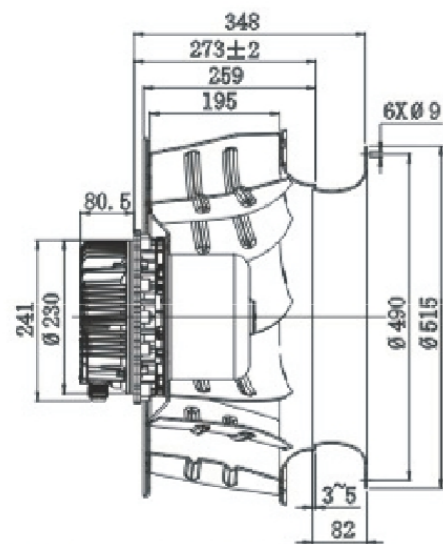
EC Series



- **Material:** Impeller: Completely made of aluminum alloy  
Rotor: Electric coated in black  
Electronics enclosures: Die-cast aluminum
- **Number of blade:** 9
- **Direction of rotation:** Anticlockwise, see on the leads
- **Type of protection:** IP54
- **Mounting position:** Shaft horizontal or rotor on bottom, Rotor on top on request
- **Operation mode:** S1
- **Bearing:** Maintenance-free ball bearings
- **Motor insulation class:** F

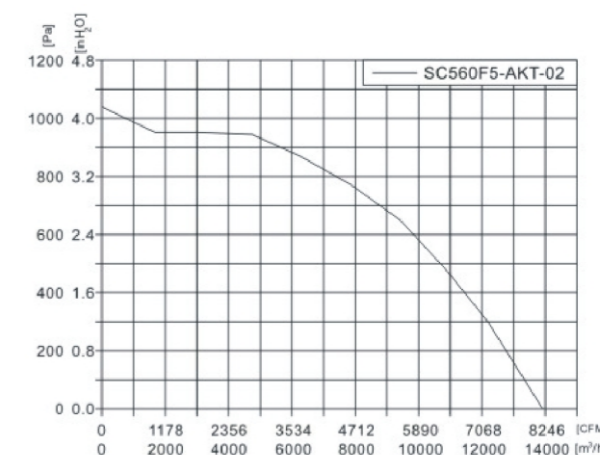
- **Technical features:** Control input 0~10VDC/PWM  
Output 10VDC+10%, max.10mA  
Output 20VDC+10%, max.50mA  
PFC (passive), Integrated PID controller,  
Tach output, Alarm relay, RS485 MADBUS
- **Protection:** Line undervoltage, Motor current limitation  
Locked-rotor protection, Soft start, Phase failure detection  
Thermal protector
- **EMC:** According to EN61000-6-3/2, EN61000-3-2/3
- **Approvals:** CCC, UL, CE
- **Amb.Temp:** -25~+60°C

Type	Motor	Voltage (VAC)	Frequency (Hz)	Airflow (m³/h)	Airflow (CFM)	Speed (rpm)	Power (W)	Current (A)	Noise Lp:dB(A)
SC560F5-AKT-00	DM150F5-AKT-02	3~380	50/60	12500	7620	1500	1750	2.7	81



**EC Centrifugal Blower  
Backward Curved  $\phi 560-269$**

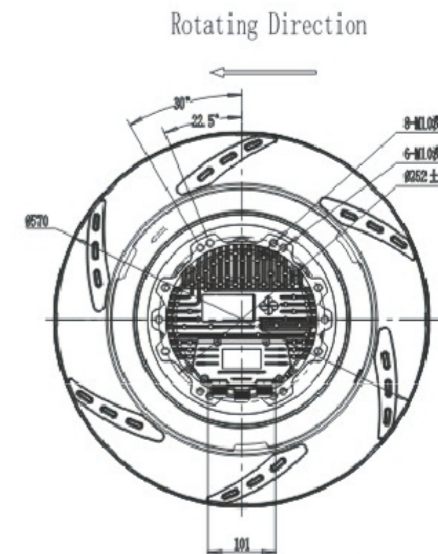
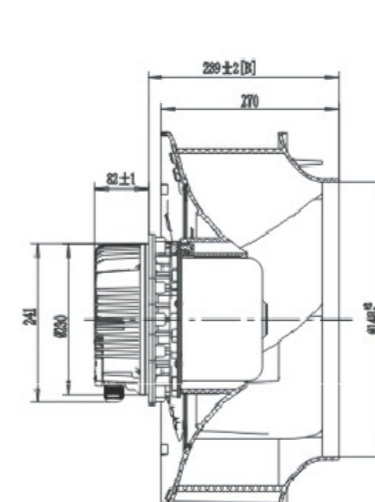
EC Series



- **Material:** Impeller: Made of plastic  
Rotor: Coated in black  
Electronics enclosures: Die-cast aluminum
- **Number of blade:** 6
- **Direction of rotation:** Anticlockwise, see on the leads
- **Type of protection:** IP54
- **Mounting position:** Shaft horizontal or rotor on bottom, Rotor on top on request
- **Operation mode:** S1
- **Bearing:** Maintenance-free ball bearings
- **Motor insulation class:** F

- **Technical features:** Control input 0~10VDC/PWM  
Output 10VDC+10%, max.50mA  
Output 10VDC+10%, max.10mA  
PFC (passive), Integrated PID controller, Tach output, Alarm relay  
RS485 MADBUS
- **Protection:** Current limiting, Blocking turning, Soft start  
Defects, Thermal protection
- **EMC:** According to EN61000-6-3/2, EN61000-3-2/3
- **Approvals:** CCC
- **Amb.Temp:** -25~+60°C

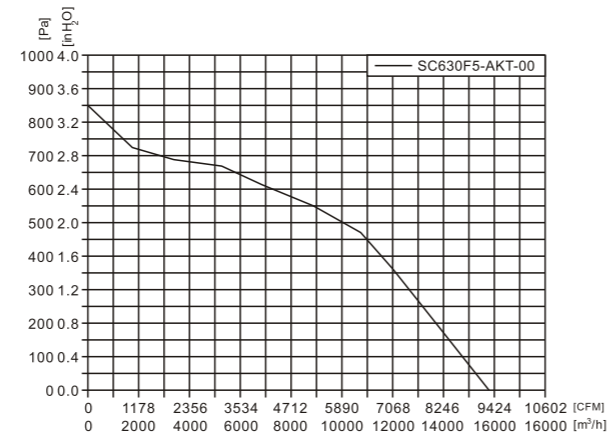
Type	Motor	Voltage (VAC)	Frequency (Hz)	Airflow (m³/h)	Airflow (CFM)	Speed (rpm)	Power (W)	Current (A)	Noise Lp:dB(A)
SC560F5-AKT-02	DM150F5-AKT-12	3~380	50/60	13800	8132	1570	1900	3.1	85





**EC Centrifugal Blower**  
**Backward Curved  $\phi 630-290$**

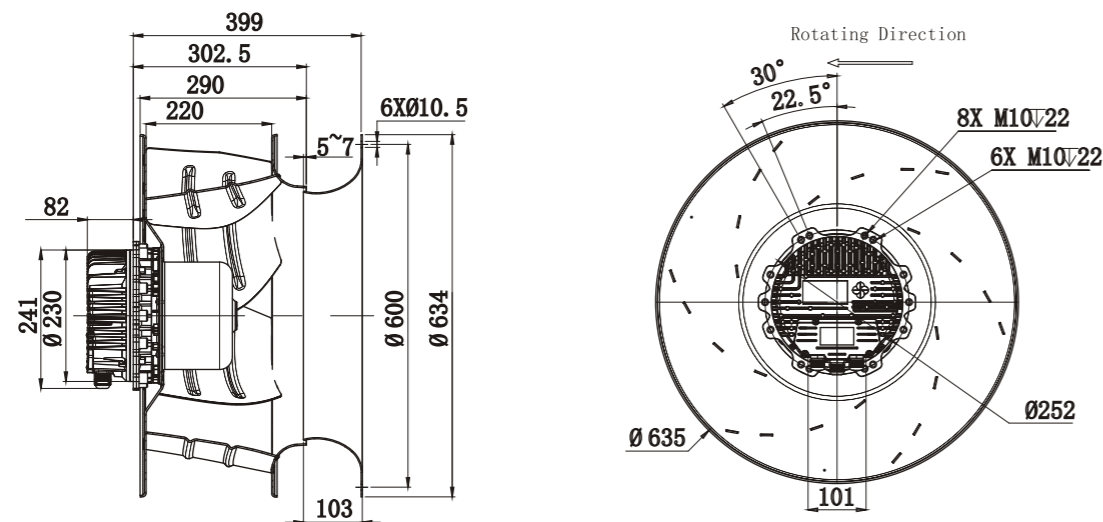
EC Series



- **Material:** Impeller: Completely made of aluminum alloy  
Rotor: Electric coated in black  
Electronics enclosures: Die-cast aluminum
- **Number of blade:** 6
- **Direction of rotation:** Anticlockwise, see on the leads
- **Type of protection:** IP54
- **Mounting position:**  
Shaft horizontal or rotor on bottom, Rotor on top on request
- **Operation mode:** S1
- **Bearing:** Maintenance-free ball bearings
- **Motor insulation class:** F

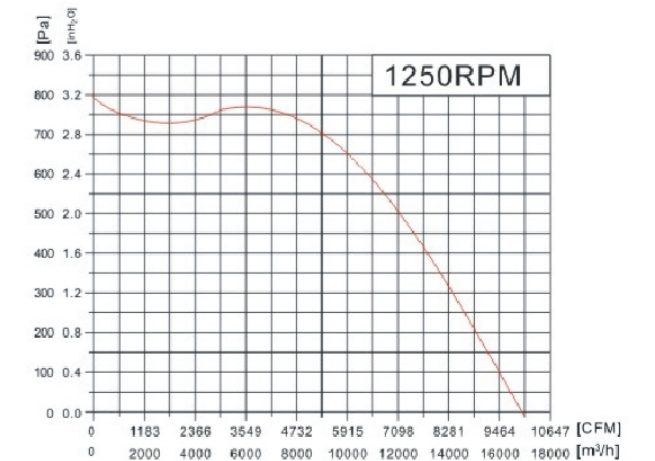
- **Technical features:** Control input 0~10VDC/PWM  
Output 10VDC+10%, max.10mA  
Output 20VDC+10%, max.50mA  
PFC (passive), Integrated PID controller, Tach output, Alarm relay  
RS485 MADBUS
- **Protection:** Line undervoltage, Motor current limitation  
Locked-rotor protection, Soft start, Phase failure detection  
Thermal protector
- **EMC:** According to EN61000-6-3/2, EN61000-3-2/3
- **Approvals:** CCC, UL, CE
- **Amb.Temp:** -25~+60°C

Type	Motor	Voltage (VAC)	Frequency (Hz)	Airflow (m³/h)	Airflow (CFM)	Speed (rpm)	Power (W)	Current (A)	Noise Lp:dB(A)
SC630F5-AKT-00	DM150F5-AKT-03	3~380	50/60	16000	9422	1200	1550	2.5	79



**EC Centrifugal Blower**  
**Backward Curved  $\phi 630-293$**

EC Series



- **Material:** Impeller: Completely made of plastic  
Rotor: Coated in black  
Electronics enclosures: Die-cast aluminum
- **Number of blade:** 6
- **Direction of rotation:** Anticlockwise, see on the leads
- **Type of protection:** IP54
- **Mounting position:**  
Shaft horizontal or rotor on bottom, Rotor on top on request
- **Operation mode:** S1
- **Bearing:** Maintenance-free ball bearings
- **Motor insulation class:** F

- **Technical features:** Control input 0~10VDC/PWM  
Output 10VDC+10%, max.10mA  
Output 20VDC±10%, max.50mA  
PFC (passive), Integrated PID controller, Tach output, Alarm relay
- **Protection:** Motor current limitation, Locked-rotor protection  
Soft start, Phase failure detection, Thermal protector
- **EMC:** According to EN61000-6-3/2, EN61000-3-2/3
- **Approvals:** CCC
- **Amb.Temp:** -25~+60°C

Type	Motor	Voltage (VAC)	Frequency (Hz)	Airflow (m³/h)	Airflow (CFM)	Speed (rpm)	Power (W)	Current (A)	Noise Lp:dB(A)
SC630F5-AKT-02	DM150F5-AKT-06	3~380	50	17000	10012	1250	1900	3.0	78

